

VT-M Electric Actuator Series

Intelligent Electric Actuator

SUMMARY

VT-M Series intelligent multi-turn actuator is applied in controlling various valves and other similar products, include butterfly valve, ball valve, gate valve, control valve etc. It is widely applied in petroleum, chemical, water treatment, shipping, paper making, power plants, heating, building automation and other industries. VT-M Series multi-turn actuator combine the characteristic of intelligent and reliable, and expand richer application based on basic modular product, it can meet various kinds of working condition. There are different VT-M valve gear boxes can be configured which greatly expanded the torque range or turn the multi-turn actuator into quarter-turn actuator, linear actuator to meet the different requirements.

PERFORMANCE PARAMETER

Model	Output torque N.M	Speed RPM	Max shaft diameter mm	Power W	Rated current(A) 50HZ AC380V	Flange ISO5210	Weight KG
VT-M-007	70	45	28	400	2.42	F10	32
	70	90		400	2.95		
VT-M-010	120	35	28	600	2.25	F10	38
	120	70		600	3.18		
	120	105		800	5.15		
VT-M-020	300	34	40	1100	4.50	F14	68
	300	67		1100	6.85		
VT-M-050	450	34	40	1100	9.58	F14	70
	450	67		1500	14.80		
VT-M-060	600	34	55	3000	10.89	F16	103
	600	67		4000	16.50		
VT-M-080	800	34	55	3000	12.43	F16	103
	800	67		4000	23.50		
VT-M-100	1000	34	55	4000	30.20	F16	103

VT-M Electric Actuator Series

Intelligent Electric Actuator

TECHNICAL PARAMETER

Shell	Enclosure : IP67, IP68 is optional, NEMA4, NEMA6
Power	Standard: 380V AC/3ph Optional: 110/220V AC/ 1ph, 440V AC/3ph, 50/60Hz, $\pm 10\%$
Motor	Asynchronous motor
Limit Switch	1 x Open/Close, SPDT, 250V AC 10A (ON/OFF Model)
Auxiliary Limit switch	1 x Open/Close, SPDT, 250V AC 10A (ON/OFF Model)
Torque Switch	1 x Open/Close, SPDT, 250V AC 10A
Operating Temperature	Internal-placed Thermal Protection, Open $120^{\circ}\text{C} \pm 5^{\circ}\text{C}$ /Close $97^{\circ}\text{C} \pm 5^{\circ}\text{C}$
Manual Operation	Declutching Mechanism, with Handwheel Operation
Self-locking Device	Self-locking by Worm and Worm Gear
Space Heater	30W (110 /220V AC) Condensation Preventing (According to conditions, can be adjusted)
Conduit Entry	Double seal 3 x (PT3/4", PT 1", PT 1-1/2" optional)
Ambient Temperature	, - $25^{\circ}\text{C} \sim +70^{\circ}\text{C}$ (-30°C , -40°C , -60°C optional)
Lubrication	Special oil for 00 Actuators
Mateial	Ductile Iron, High-strength Aluminum Alloys, Steel, Aluminum Bronze, Polycarbonate
Ambient Humidity	Max 90% RH
Anti-vibration	X Y Z 10g, 0.2~34 Hz, 30 minutes
External Coating	Dry powder, Epoxy polyester, High Anti-corrosion
Overload Protection	Torque peak overload protection
Display Scream	LED Display (Smart Regulation Type)
Setting Mode	Non-intrusive Setting (Without opening the cover set type)
Electrically	Integrated control unit with a non-invasive rotary switch

VT-M Electric Actuator Series

Intelligent Electric Actuator

OPTION SPECIFICATION

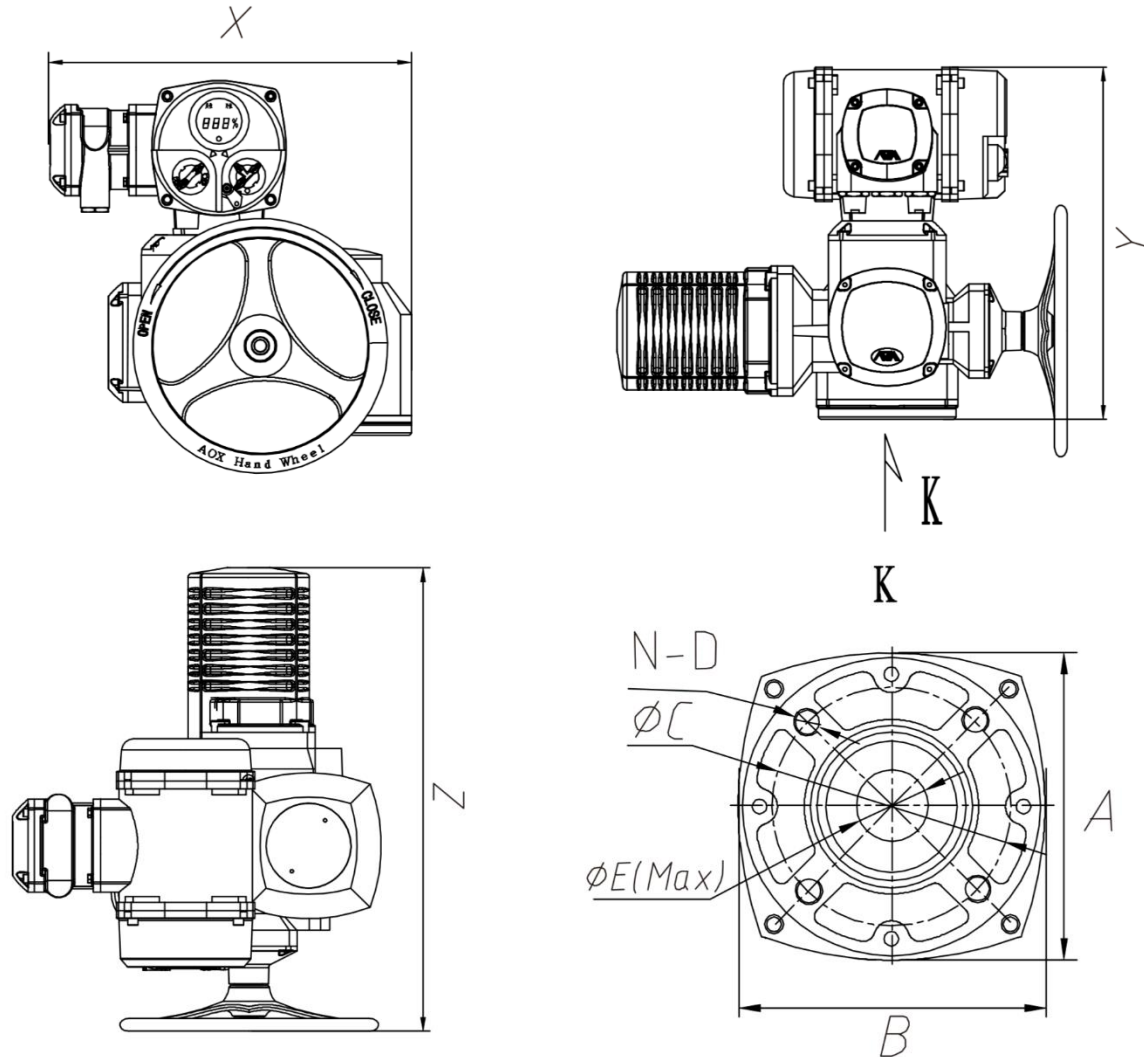
No.	Option Scheme	Remark
1	Explosion-proof Actuator (Exd II CT4)	VT-M Series
2	Water-proof Actuator (IP68, 10M, 250HR)	VT-M Series
3	Potentiometer unit (IK-10K)	VT-M Series
4	Proportion control unit (Control signal 4-20mA)	VT-M Series
5	Local control units (Local control open/stop/close optional switch, local/remote switch)	VT-M Series
6	High temperature resistance Actuator (-10°C ~ +100°C)	VT-M Series
7	Low temperature resistance Actuator (-60°C ~ +30°C)	VT-M Series
8	Special output drive	VT-M Series
9	Bus Control Unit	VT-M Series



VT-M Electric Actuator Series

Intelligent Electric Actuator

GENERAL DRAWING



Model	X	Y	Z	A	B	C	N-D	E (Max)
VT-M-007	393	372	440	115	115	102	4-M10	28
VT-M-010	433	387	497	132	132	102	4-M10	28
VT-M-020	509	451	578	180	180	140	4-M16	40
VT-M-050	509	451	578	180	180	140	4-M16	40
VT-M-060	605	518	733	220	220	165	4-M20	55
VT-M-080	605	518	733	220	220	165	4-M20	55
VT-M-100	605	518	733	220	220	165	4-M20	55