

VT-Q Electric Actuator Series

Explosion-proof Electric Actuator

SUMMARY

VT-Q Series electric actuator is used for controlling 0° ~ 270° rotation of the valves and other similar products, such as butterfly valve, ball valve, damper, flapper valve, cock valve etc. It widely applies to petroleum, chemical, water treatment, shipping, paper making, power plants, heating, building automation and other industries. Driven by 380V/220V/110V AC power or 24V/110V DC power, inputs 4- 20mA or 0~10VDC control signal, moves valve to the right position, and achieves to automatic control, maximum output torque is 6000N.M.

PERFORMANCE PARAMETER

Operating Time 60/50Hz 90°(s)	Max Drive Shaft Diameter mm	Power W	Rated current(A) Single Phase		Rated current(A) Three Phases		No of Handle turn N	Flnage ISO5211	Weight KG
			110V	220V	380V	440V			
			18/22	20	20	1.10/0.95			
18/22	20	20	1.10/0.95	0.55/0.54	0.30/0.30	N/A	10	F07	7.5
18/22	20	20	1.10/0.95	0.55/0.54	0.30/0.30	N/A	10	F07	0.5
21/25	20	40	1.65/1.67	0.88/0.84	0.31/0.31	0.30/0.31	11	F07/F10	17.3
21/25	20	40	1.67/1.67	0.89/0.85	0.31/0.31	0.30/0.31	11	F07/F10	17.3
26/31	32	90	1.85/1.86	0.92/0.95	0.35/0.35	0.34/0.34	13.5	F10/F12	22
26/31	32	120	3.60/3.62	1.55/1.58	0.59/0.59	0.58/0.58	13.5	F10/F12	23
26/31	32	120	3.65/3.62	1.60/2.20	0.60/0.59	0.59/0.58	13.5	F10/F12	23
31/37	40	180	4.10/4.10	2.15/2.20	0.85/0.85	0.79/0.79	16.5	F12/F14	29
31/37	40	180	4.20/4.10	2.35/2.30	0.87/0.87	0.81/0.81	16.5	F12/F14	29
78/93	40	120	3.65/3.62	1.60/2.20	0.60/0.59	0.59/0.58	40.5	F14/F16	77
93/112	40	180	4.10/4.10	2.15/2.20	0.85/0.85	0.79/0.79	49.5	F14/F16	83
93/112	40	180	4.20/4.10	2.35/2.30	0.87/0.87	0.81/0.81	49.5	F14/F16	83
155/185	40	180	4.20/4.10	2.35/2.30	0.87/0.87	0.81/0.81	82.5	F14/F16	83
155/185	40	180	4.20/4.10	2.35/2.30	0.87/0.87	0.81/0.81	82.5	F14/F16	83
155/185	40	180	4.20/4.10	2.35/2.30	0.87/0.87	0.81/0.81	82.5	F14/F16	83

VT-Q Electric Actuator Series

Explosion-proof Electric Actuator

TECHNICAL PARAMETER

Shell	Enclosure : IP67, IP68 is optional, NEMA4, NEMA6	
Power	Standard: 220V AC/1ph Optional: 110V AC/ 1ph, 380V/440V /3ph, 50/60Hz, $\pm 10\%$ 24V DC/110V DC/220V DC	
Motor	Asynchronous motor	
Limit Switch	2 x Open/Close, SPDT, 250V AC 10A	
Auxiliary Limit switch	2 x Open/Close, SPDT, 250V AC 10A	
Torque Switch	Open/Close, Each 1, SPDT, 250V AC 10A	Except VT-Q-005/008/010
Travel	90° \pm 10°	
Fail safe / Operating Temperature	Internal-placed Thermal Protection, Open 120°C \pm 5°C/Close 97°C \pm 5°C	
Indicator	Continuous position indicator	
Manual Operation	Decutching Mechanism, with Handwheel Operation	
Self-locking Device	Self-locking by Worm and Worm Gear	
Mechanical Limit	2 x exxtemal adjustable stopper	
Space Heater	30W (110 /220V AC) Condensation Preventing (According to conditions, can be adjusted)	
Conduit Entry	2 xPT3/4"	
Ambient Temperature	, - 25°C ~ +70°C (-30°C , -40°C , -60°C optional)	
Lubrication	Grease moly (EP type)	
Mateial	Steel, Aluminum Alloys, Aluminum Bronze, Polycarbonate	
Ambient Humidity	Max 90% RH Non-Condensing	
Anti-vibration	X Y Z 10g, 0.2~34 Hz, 30 minutes	
External Coating	Dry powder, Epoxy polyester, High Anti-corrosion	

VT-Q Electric Actuator Series

Explosion-proof Electric Actuator

OPTION SPECIFICATION

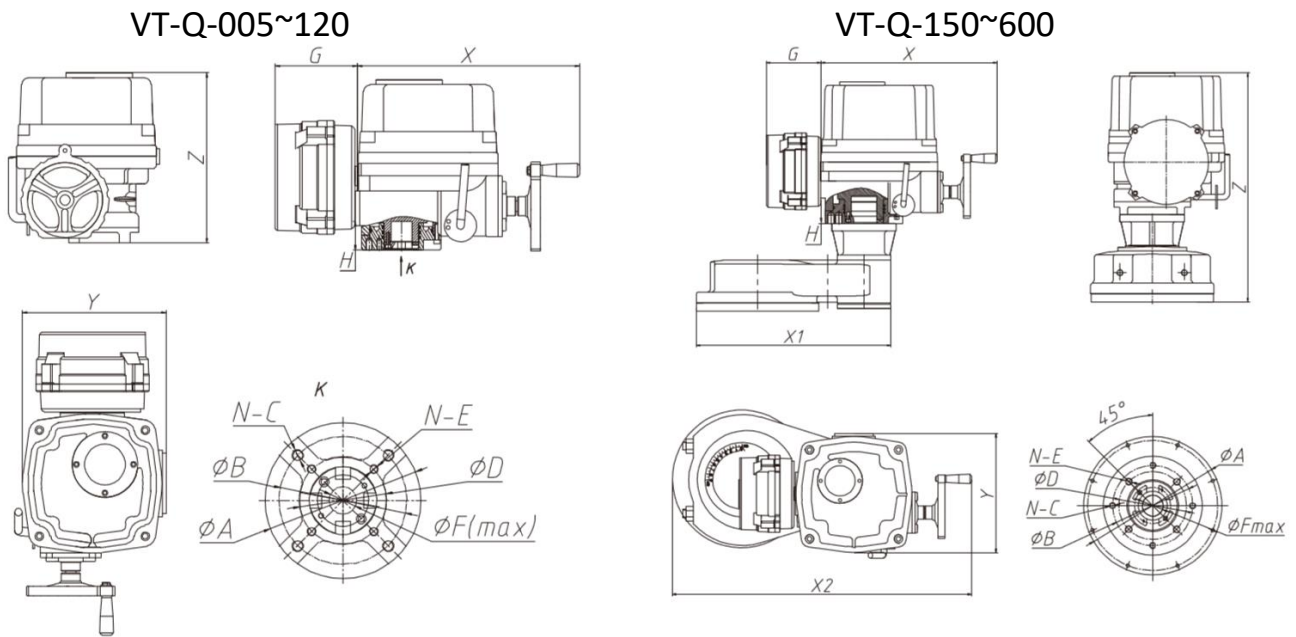
No.	Option Scheme	Remark
1	Explosion-proof Actuator (Exd II CT5)	VT-Q Series
2	Water-proof Actuator (IP68, 10M, 250HR)	VT-Q Series
3	Potentiometer unit (IK-10K)	VT-Q Series
4	Proportion control unit (Control signal 4-20mA)	VT-Q Series
5	Local control units (Local control open/stop/close optional switch)	VT-Q Series
6	Direct current motor (24V DC)	VT-Q Series
7	Torque switch (SPDT x 2 250 VAC 10A)	Except VT-Q-005/008/010
8	Electric current position sensor (Output 4-20mA DC)	VT-Q Series
9	Reverse electromagnetic control and transmission integration electrical machinery starter	VT-Q Series
10	High temperature resistance Actuator (-10°C ~ +100°C)	VT-Q Series
11	Low temperature resistance Actuator (-60°C ~ +30°C)	VT-Q Series
12	Low speed actuator	VT-Q Series
13	Travel 120°, 180°, 270°	VT-Q Series



VT-Q Electric Actuator Series

Explosion-proof Electric Actuator

GENERAL DRAWING



Model	X	Y	Z	A	B	N-C	D	N-E	F	G	H	X1	X2
VT-Q-005	254	175	236	90	70	4-M8	/	/	20	130	60	/	/
VT-Q-008	254	175	236	90	70	4-M8	/	/	20	130	60	/	/
VT-Q-010	254	175	236	90	70	4-M8	/	/	20	130	60	/	/
VT-Q-015	343	245	271	125	102	4-M10	70	4-M8	20	130	50	/	/
VT-Q-020	343	245	271	125	102	4-M10	70	4-M8	20	130	50	/	/
VT-Q-030	358	258	292	150	125	4-M12	102	4-M10	32	130	67	/	/
VT-Q-050	358	258	292	150	125	4-M12	102	4-M10	32	130	67	/	/
VT-Q-060	358	258	292	150	125	4-M12	102	4-M10	32	130	67	/	/
VT-Q-080	402	291	331	180	140	4-M16	125	4-M12	40	130	72	/	/
VT-Q-120	402	291	331	180	140	4-M16	125	4-M12	40	130	72	/	/
VT-Q-150	358	258	496	285	165	4-M18	140	4-M16	40	130	65	454	604
VT-Q-200	402	291	535	285	165	4-M18	140	4-M16	40	130	65	454	625
VT-Q-300	402	291	535	285	165	4-M18	140	4-M16	40	130	65	454	625
VT-Q-400	402	291	535	285	165	4-M18	140	4-M16	40	130	65	454	625
VT-Q-500	402	291	535	285	165	4-M18	140	4-M16	40	130	65	454	625
VT-Q-600	402	291	535	285	165	4-M18	140	4-M16	40	130	65	454	625